

FREE
PATTERNS

Squirrely

knit in **Peruvia®** | [color info](#)
Skill level: **Intermediate**[rolover to enlarge](#)[rolover to enlarge](#)[Schematic](#) | [Chart](#) | [Abbreviations & Terms](#)

Find this Yarn

WEB EXCLUSIVE
www.berroco.com

Squirrely is a pullover with an adorably oversize intarsia motif. Knit in a classic shape with mistake rib accents, this sweater will inspire many smiles.

**PDF Pattern Instructions**

(If you can't open this PDF file you need Adobe Acrobat Reader. Get it [here](#).)

Shown in size Small

SIZES

Directions are for women's size X-Small. Changes for sizes Small, Medium, Large, 1X and 2X are in parentheses.

FINISHED MEASUREMENTS

Bust - 30(34-38-42-46-50)"

Length - 24(24½-25½-26-26½-27)"

MATERIALS

5(6-6-7-8-9) Hanks **BERROCO PERUVIA** (100 grs), #7147 Blue Nile (MC) and 1 hank each #7105 Prairie Dog (A), #7129 Agate (B), #7114 Chipotle (C), #7149 Horse Chestnut (D), #7152 Saddle Brown (E) and #7100 Blanco (F)

Straight knitting needles, sizes 8 (5.00 mm) and 10 (6.00 mm) OR SIZE TO OBTAIN GAUGE

16" Length circular knitting needle, size 8 (5.00 mm)

2 St markers

Optional: Bobbins

GAUGE

17 sts = 4"; 22 rows = 4" in St st on larger needles

TO SAVE TIME, TAKE TIME TO CHECK GAUGE

NOTE

When changing colors, hold yarn to the left and pick up new color from underneath. This twist yarn so there are no holes. Use a separate ball or bobbin of yarn for each color section of chart. DO NOT carry yarn across.

MISTAKE-STITCH RIBBING (Multiple of 4 sts + 3)

Row 1: * K2, p2, rep from * to last 3 sts, end k2, p1.

Rep this row for Mistake-St Rib

BACK

With smaller straight needles, using MC, cast on 79(89-99-111-123-131) sts. Work even in Mistake-St Rib for 3", end on RS. Change to larger needles and p the next row, dec 10(10-12-16-18-18) sts across – 69(79-87-95-105-113) sts. Work even in St st until piece measures 4(4-4½-4½-5-5)" from beg, end on WS.

Dec Row (RS): K1, k2 tog, k to last 3 sts, SSK, k1 – 67(77-85-93-103-111) sts. Rep this dec every 3" twice more – 63(73-81-89-99-107) sts. Work even until piece measures 12(12-12½-12½-13-13)" from beg, end on WS.

Inc Row (RS): K1, M1k, k to last st, M1k, k1 – 65(75-83-91-101-109) sts. Rep this inc every 1½" twice more – 69(79-87-95-105-113) sts. Work even until piece measures 16(16-16½-16½-17-17)" from beg, end on WS.

Shape Armholes: Bind off 3(5-6-7-9-10) sts at beg of the next 2 rows – 63(69-75-81-87-93) sts. Dec 1 st each side every RS row 4(5-6-7-7-8) times – 55(59-63-67-73-77) sts. Work even until armholes measure 7(7½-8-8½-8½-9)", end on WS.

Shape Shoulders: Bind off 3(3-5-5-6-6) sts at beg of the next 2 rows, then 3(4-4-5-6-7) sts at beg of the next 4 rows. Bind off remaining 37 sts for back neck.

FRONT

Work same as back until piece measures 4" from beg, end on WS – 69(79-87-95-105-113) sts.

Next Row (RS): K1, k2 tog, k9(14-18-22-27-31), place marker, work Row 1 of chart over 45 sts, place marker, k9(14-18-22-27-31), SSK, k1 – 67(77-85-93-103-111) sts. Work same as back, continuing to work chart over sts between markers, until armholes measure 4(4½-5-5½-5½-6)", end on WS – 55(59-63-67-73-77) sts. Note: When chart has been completed, drop markers and work all sts with MC.

Shape Neck: Next Row (RS): K18(20-22-24-27-29), join another hank of MC and bind off center 19 sts, k to end. Working both sides at once with separate hanks of yarn, dec 1 st at each neck edge EVERY row 5 times, then every RS row 4 times – 9(11-13-15-18-20) sts each side. Work even until armholes measure 7(7½-8-8½-8½-9)", end on WS. Bind off 3(3-5-5-6-6) sts at each armhole edge once, then 3(4-4-5-6-7) sts twice for shoulders.

SLEEVES

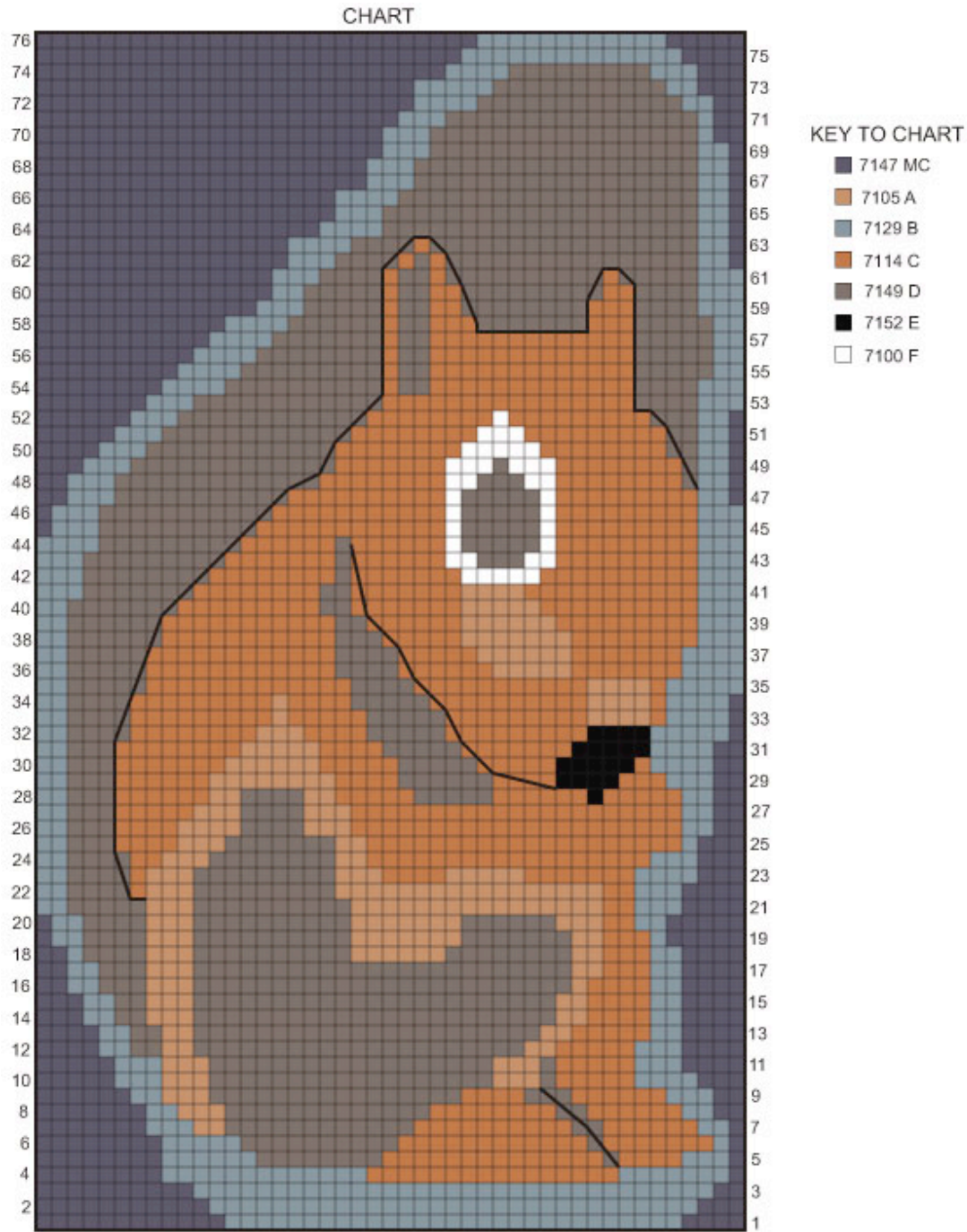
With smaller straight needles, using MC, cast on 49 sts. Work in Mistake-St Rib for 3½", end on RS. Change to larger needles and p the next row, dec 3 sts across – 46 sts. Work in St st, inc 1 st each side every ¾(¾-2¼-1½-1¼-1)" 4(4-6-9-11-13) times – 54(54-58-64-68-72) sts. Work even until sleeve measures 18" from beg, end on WS.

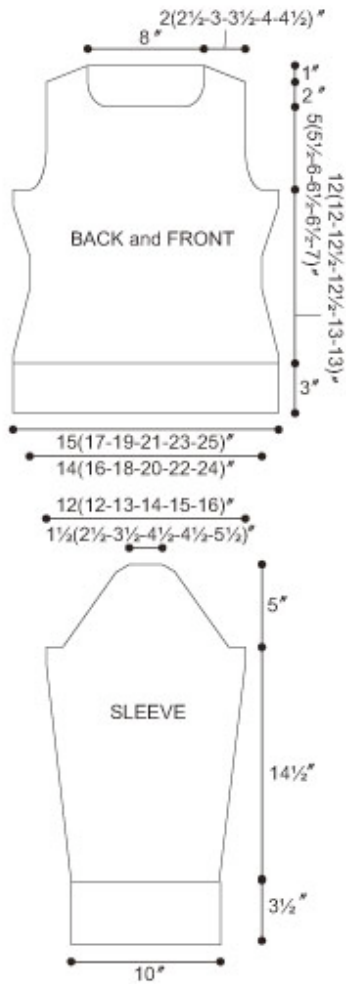
Shape Cap: Bind off 3(5-6-7-9-10) sts at beg of the next 2 rows – 48(44-46-50-50-52) sts. Dec 1 st each side every RS row 8(12-13-13-13-14) times, then EVERY row 12(4-2-2-2-0) times, end on WS. Bind off remaining 8(12-16-20-20-24) sts.

FINISHING

Embroider charted section as shown on chart. Sew right shoulder seam.

Neckband: With RS facing, using circular needle and MC, beg at left shoulder, pick up and k16 sts along left front neck edge, 19 sts across front neck edge, 16 sts along right front neck edge, then 28 sts across back neck edge – 79 sts. Work even in Mistake-St Rib for 1", end on WS. Bind off. Sew left shoulder and neckband seam. Sew in sleeves. Sew side and sleeve seams.





[Home](#) | [Yarn Shops](#) | [Yarns](#) | [Free KnitBits®](#) | [New This Season](#) | [Free Patterns](#) | [Blog](#) | [Multimedia](#)
[Pattern Corrections](#) | [Abbreviations & Terms](#) | [Links](#) | [Handeze® Glove](#) | [Scarf Central](#)
[About Us](#) | [Privacy Statement](#) | [FAQs](#) | [Contact Us](#)

Berroco, Inc. P.O. Box 367, 14 Elmdale Road, Uxbridge, MA 01569-0367 USA
 copyright 2010 Berroco